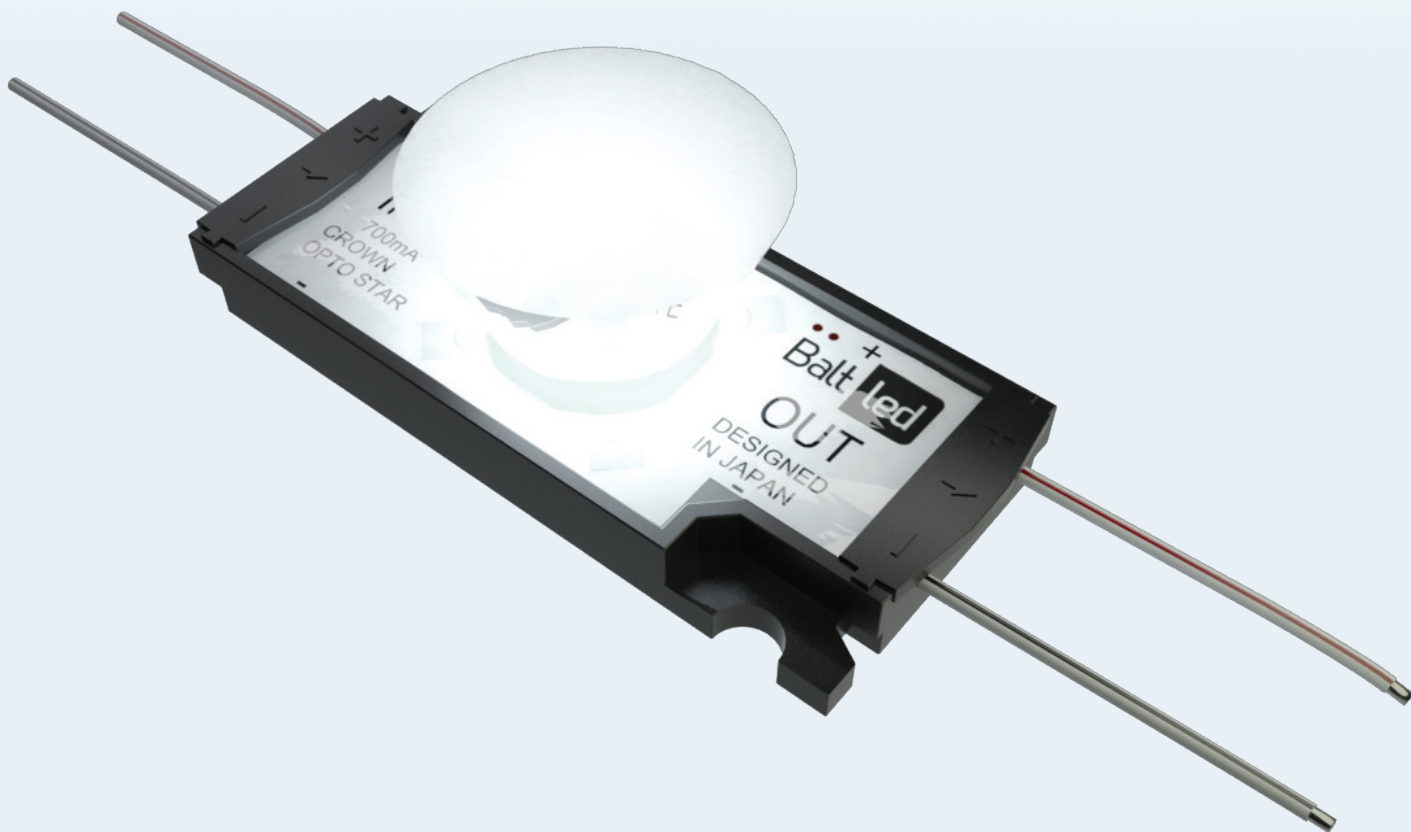


Best for 140 - 200 mm depth  
double sided light boxes

5 years warranty



Crown DUO STAR



**Created for:**

- High brightness illumination of big depth double sided light boxes
- Unique and patented design
- Significantly improved cooling
- Optimal for 140-200 mm depth illumination

**Special features:**

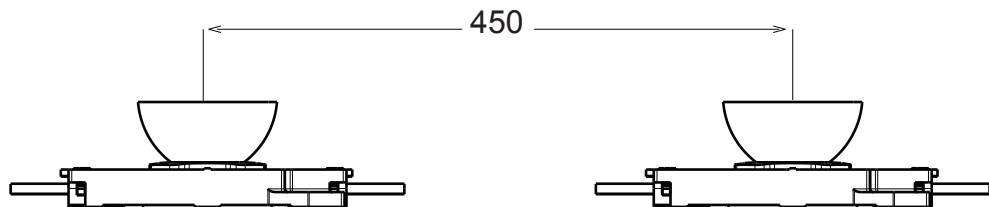
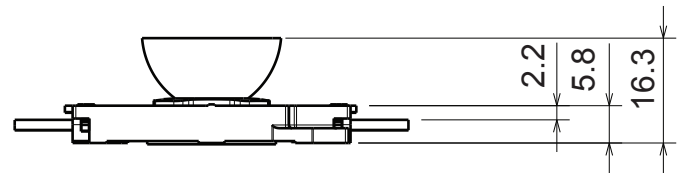
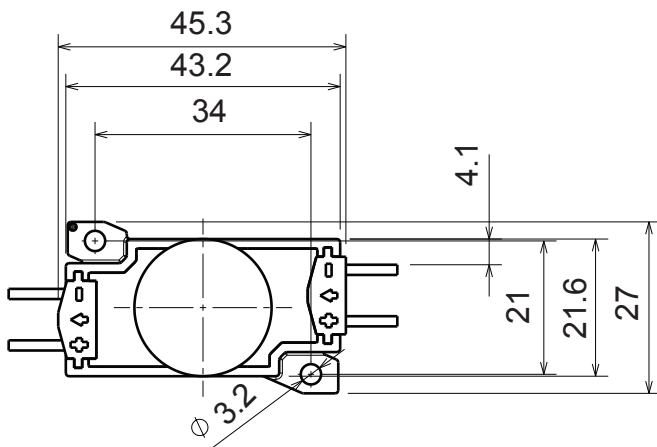
- Special acrylic elliptical lens
- Powered by Phillips LED
- LM-80 LED certified
- Carbon fiber plastic housing
- Patented ventilation system

**Applications:**

- Double sided light boxes with depth over 140 mm
- Maximum height 2000 mm
- Bus shelters
- City lights

**Other features:**

- Long operating life - 60 000 h@L70
- High efficiency over 110 lm/W
- IP - 67

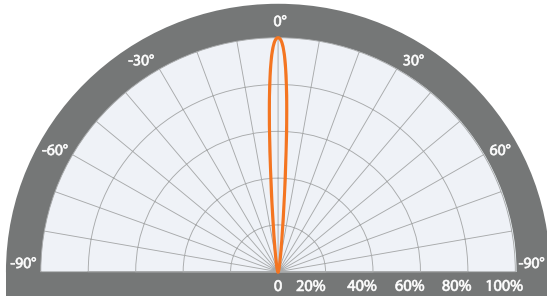


Part#	Input	Typical luminous flux	Power	Color temperature
BMP-S52-O1 EX0ELW1	700 mA	230 lm	2.1 W	6600 K

! Operating temperature: from -35 °C to +50 °C Storage temperature: from -40 °C to + 90 °C

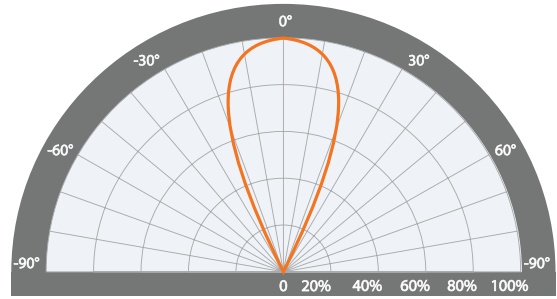


Led module light distribution graph



Latitudinal (vertical angle) Polar Radiaton Pattern

Led module light distribution graph



Latitudinal (vertical angle) Polar Radiaton Pattern

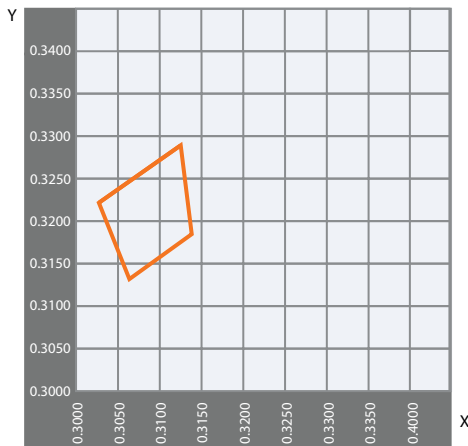
Led module light distribution table

Relative intensity	Angle
20%	24°
50%	16°
80%	10°

Led module light distribution table

Relative intensity	Angle
20%	61°
50%	36°
80%	19°

Color temperature CIE graph



CIE graph coordinates

CIE x	CIE y
0,3068	0,3113
0,3144	0,3186
0,3130	0,3290
0,3048	0,3207

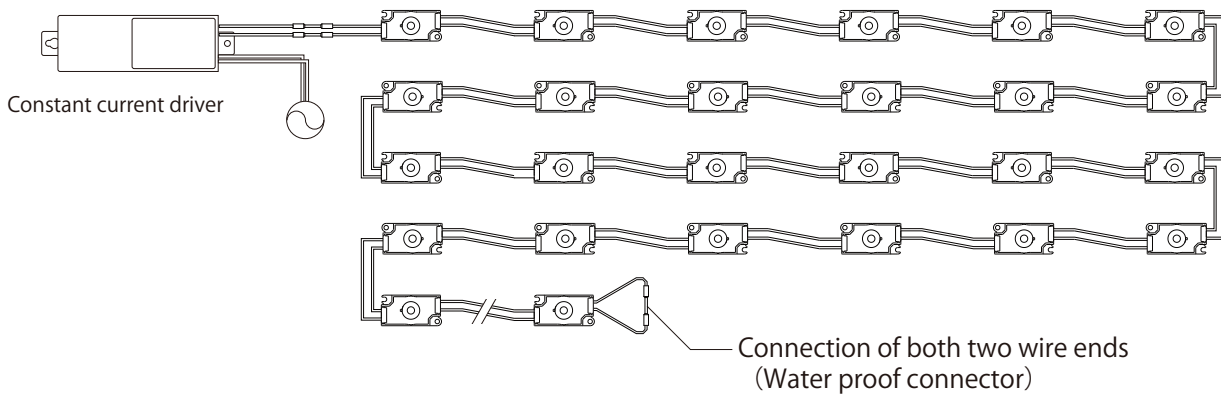
Other family products for various depths

Depth (mm)	120	140	160	180	200
Products					
Crown DUO R13	<input type="checkbox"/>	<input type="checkbox"/>	<input type="checkbox"/>	<input type="checkbox"/>	
Crown DUO R21			<input type="checkbox"/>	<input type="checkbox"/>	<input type="checkbox"/>
Crown DUO H32	<input type="checkbox"/>	<input type="checkbox"/>	<input type="checkbox"/>	<input type="checkbox"/>	
Crown DUO H41			<input type="checkbox"/>	<input type="checkbox"/>	<input type="checkbox"/>



**Attention!**

Max. number of modules in one chain depends on the power supply:  
 BP-C700-340, BP31-C700-35, BP51-C700-35 - max 15 modules per chain;  
 BP51-C700-100 - max 44 modules per chain.



NOTE: refer to connection scheme for installation guide. Incorrect connection may cause short circuit and product failure.  
 WARNING: Make sure power supply is unplugged during LED wires connection.

! Please refer to the installation guide for more information

**Modules per power supply and wire size between power supply and module**

Power supply	Cool White		White		2 m		5 m		10 m	
	MIN	MAX	MIN	MAX	mm <sup>2</sup>	AWG	mm <sup>2</sup>	AWG	mm <sup>2</sup>	AWG
BP-C700-340	3	15	3	15	0,32	22	0,41	21	0,52	20
BP51-C700-100	27	44	27	44	0,32	22	0,41	21	0,52	20

! Power loss less then 5 %

! Recommendations for full loaded power supply

**Package Weight**

Item	Quantity	Neto	Bruto
Chain	15 pcs	0,222 kg	0,222 kg
Inner box	30 pcs	0,444 kg	0.770 kg
Outer box	90 pcs	1,260 kg	2.800 kg